

**FLEETWOOD FOLDING TRAILERS, INC.  
INSTALLATION INSTRUCTIONS**

**1968R452  
June 2001**

**DELUXE ADD-A-ROOM INSTALLATION INSTRUCTIONS**

**These instructions are for use on the following models:**

**Screen room part numbers:**

4752E5921

4750G2921

4747K6551

4757A5171

**Models used on:**

Bayside, Westlake, Mesa, Niagara, Utah, Sun Valley, Fairview,  
Timberlake, Tacoma, Fairlake

Santa Fe, Sea Pine, Cheyenne, Sedona, Laramie, Cottonwood

Taos

Redwood

**This package contains:**

- |     |   |                 |                                                             |
|-----|---|-----------------|-------------------------------------------------------------|
| 1   | - | 4724-794        | Add-a-room bag                                              |
| 1   | - | (see next page) | Add-a-room front                                            |
| 1   | - | (see next page) | Add-a-room left side                                        |
| 1   | - | (see next page) | Add-a-room right side                                       |
| 1   | - | (see next page) | Rear skirt                                                  |
| 1   | - | 4716-4011       | *Wheel well flap (except Taos)                              |
| 8   | - | 4724A255        | Plastic stakes (Taos models only have seven)                |
| 4   | - | 4720E402        | Plastic lashing hooks                                       |
| 1   | - | 4350000005      | Roll adhesive-backed Velcro                                 |
| 4   | - | 4733-413        | 3/4" self-tapping Phillips head screws                      |
| 16" | - | 4753A863        | Velstick (except Taos)                                      |
| 5   | - | 1103E1010       | 5/8" stainless steel screws                                 |
| 2   | - | NPN             | Screen room adapters                                        |
| 2   | - | 4730A354        | Snap stud with screw (Taos and Laredo models only have one) |

**IMPORTANT NOTICE**

These instructions are for the use of qualified individuals specifically trained and experienced in the installation of this type equipment and related system components. Installation and service personnel are required by some states to be licensed. Persons not qualified shall not attempt to install this equipment nor interpret the instructions.

## PREPARING THE TRAILER FOR ADD-A-ROOM ATTACHMENT

1. Raise the trailer top to full height.
2. Locate two lashing hooks on the curbside body rail next to the front and rear lift arms according to the dimensions shown in figure 1. Pre-drill the holes with a 3/16" drill bit and attach with 3/4" self-tapping Phillips head screws provided.
3. **Grand Tour and Destiny Series Only (excluding Taos)** - Locate two additional lashing hooks in the bottom corners of the exposed floor, directly below the body panel, according to the dimensions in figures 2 and 3. Fasten with two self-tapping screws.

**Grand Tour Elite Series and Taos Model** - Locate two additional lashing hooks (one in each corner of the trailer) on the lower body panel flange as shown in figures 4 and 5. Attach with 3/4" self-tapping Phillips-head screws.

4. Wipe clean the underside of the two frame cross channels with isopropyl alcohol as well as the outside portion of the main frame channel directly underneath the entrance doorway. Attach Velcro to the underside of both frame cross channels below the entrance doorway. The Velcro should extend from the end of the cross channel to the main frame channel. Next, attach Velcro to the bottom portion of the main frame channel between the two cross channels. See figure 6. See figure 8 for Velcro application on 1999 Grand Tour models and the 1999 Santee model.
5. **Grand Tour Elite Series and Taos Model:** Clean the bottom flange of the curbside body panels with isopropyl alcohol and apply adhesive-backed Velcro between the access doorway and the lashing hooks installed in step 3. See figures 4 and 5.

**Grand Tour and Destiny Series (except Taos):** Clean the lower portion of the frame channel with isopropyl alcohol and apply adhesive-backed Velcro between the access doorway and the lashing hooks installed in step 3. See figures 2 and 3.

6. On all models except the 1999 Taos, attach the 16" piece of Velstick to the wheel well area as shown in figure 7. The Velstick may be shortened slightly if necessary.
7. Clean the back edge of the canopy support channel with Isopropyl alcohol and apply the appropriate amount of adhesive-backed Velcro along the top back edge of the channel. Do not cover any pre-drilled holes; run Velcro between the holes and press down firmly to secure adhesive backing. See figure 9.
8. Unzip the tent sections on trailer near the curbside lift arms and install the screen room adapters.
9. Locate the snaps on the add-a-room front panel (two on 10' and 12' models, one on 8' models). Mark the inside of the canopy support channel at these locations. Drill a 1/8" pilot hole at the mark(s). Attach the provided snap stud(s) to the canopy support bar.

### ADD-A-ROOM PANELS

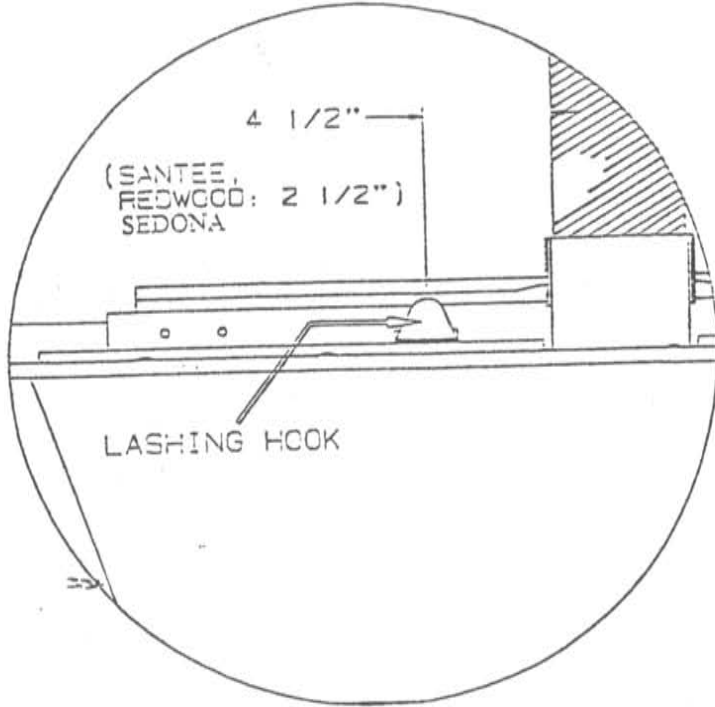
MODEL	FRONT	LEFT	RIGHT	REAR SKIRT	WHEEL WELL FLAP
Westlake, Tacoma	4716-8001	4716-7881	4716-7891	4716-7861	4716-4011
Niagara	4716-8001	4716-7881	4716-7891	4716-7861	4716-4041
Bayside	4716-8001	4716-7881	4716-7891	4716-7861	4716-4041
Utah, Fairview	4716-8001	4716-7881	4716-7891	4716-7861	4716-4011
Mesa, Timberlake Sun Valley	4716-8001	4716-7881	4716-7891	4716-7861	4716-4011
Santa Fe	4716-7901	4716-7881	4716-7891	4716-8011	4716-4011
Sea Pine	4716-7901	4716-7881	4716-7891	4716-8011	4716-4011
Cheyenne	4716-7901	4716-7881	4716-7891	4716-8011	4716-4011
Taos	4716-7961	4716-7981	4716-7991	4716-7971	
Santee, Sedona	4716-7901	4716-7881	4716-7891	4716-8011	4716-4011
Redwood	4716-8021	4716-7941	4716-7951	4716-8031	4716-4011

### ADD-A-ROOM PANELS FOR 1998 MODELS

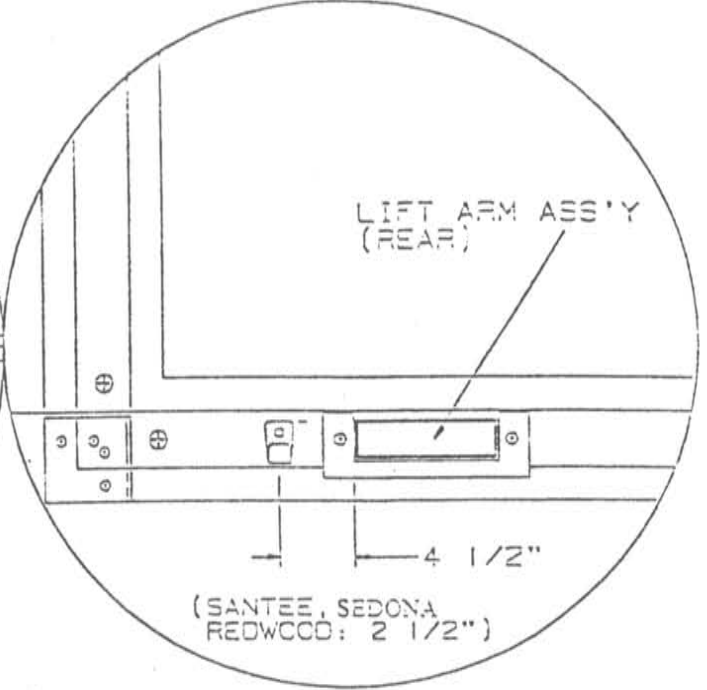
MODEL	FRONT	LEFT	RIGHT	REAR SKIRT	WHEEL WELL FLAP
Casa Grande	4716-8001	4716-7881	4716-7891	4716-7861	4716-4041
Grandview	4716-8001	4716-7881	4716-7891	4716-7861	4716-4041
Bayside	4716-8001	4716-7881	4716-7891	4716-7861	4716-4041
Sun Ridge	4716-8001	4716-7881	4716-7891	4716-7861	4716-4041
Niagara	4716-8001	4716-7881	4716-7891	4716-7861	4716-4041
Natchez	4716-8001	4716-7881	4716-7891	4716-7861	4716-4011
Rio	4716-8001	4716-7881	4716-7891	4716-7861	4716-4011
Westlake	4716-8001	4716-7881	4716-7891	4716-7861	4716-4011
Mesa	4716-8001	4716-7881	4716-7891	4716-7861	4716-4011
Cheyenne	4716-7901	4716-7881	4716-7891	4716-8011	4716-4011
Santa Fe	4716-7901	4716-7881	4716-7891	4716-8011	4716-4011
Sea Pine	4716-7901	4716-7881	4716-7891	4716-8011	4716-4011
Redwood	4716-8021	4716-7941	4716-7951	4716-8031	4716-4011
Taos	4716-7961	4716-7981	4716-7991	4716-7971	

# FIGURE 1

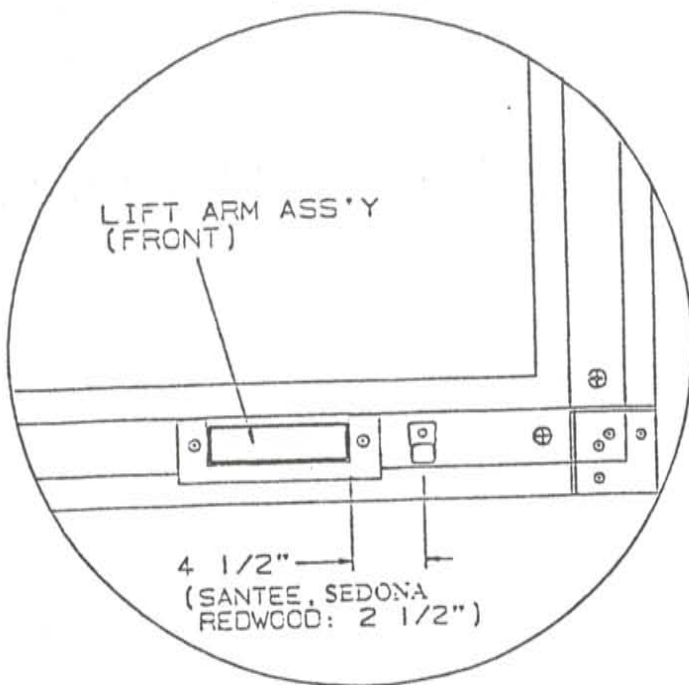
SIDE VIEW



TOP VIEW



TOP VIEW



SIDE VIEW

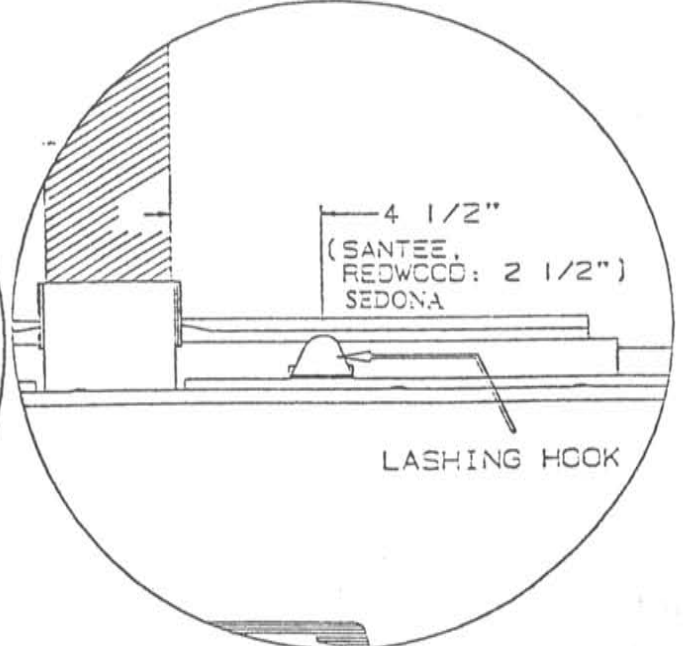


FIGURE 2

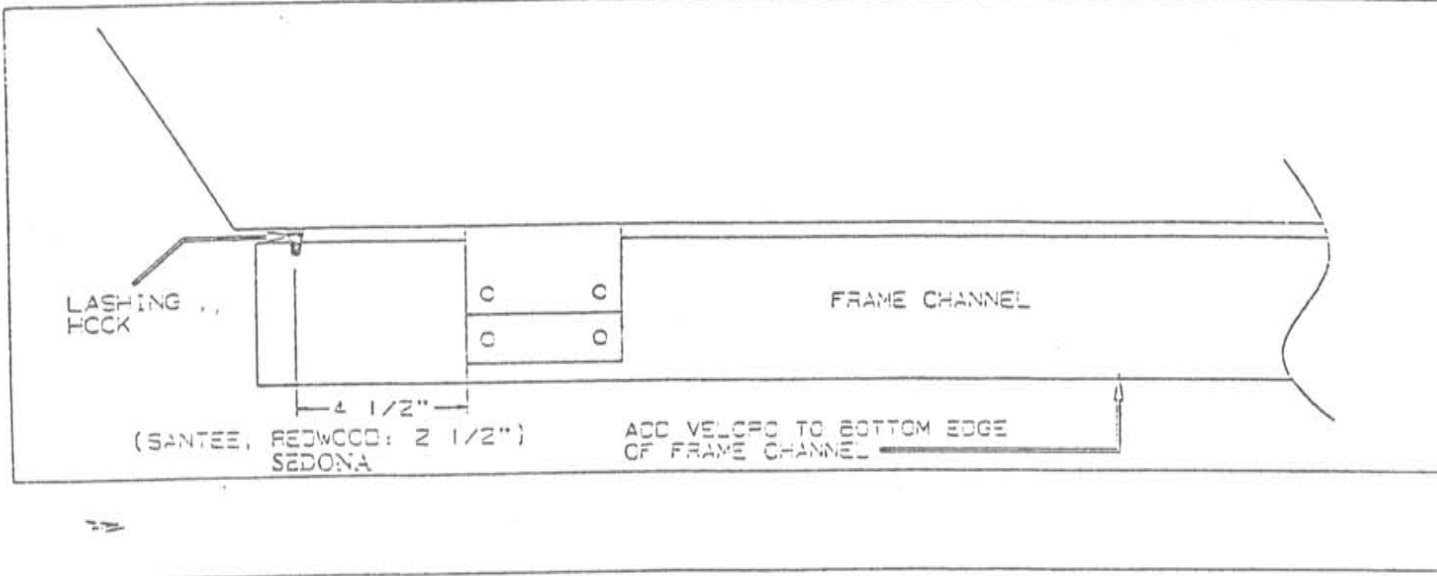


FIGURE 3

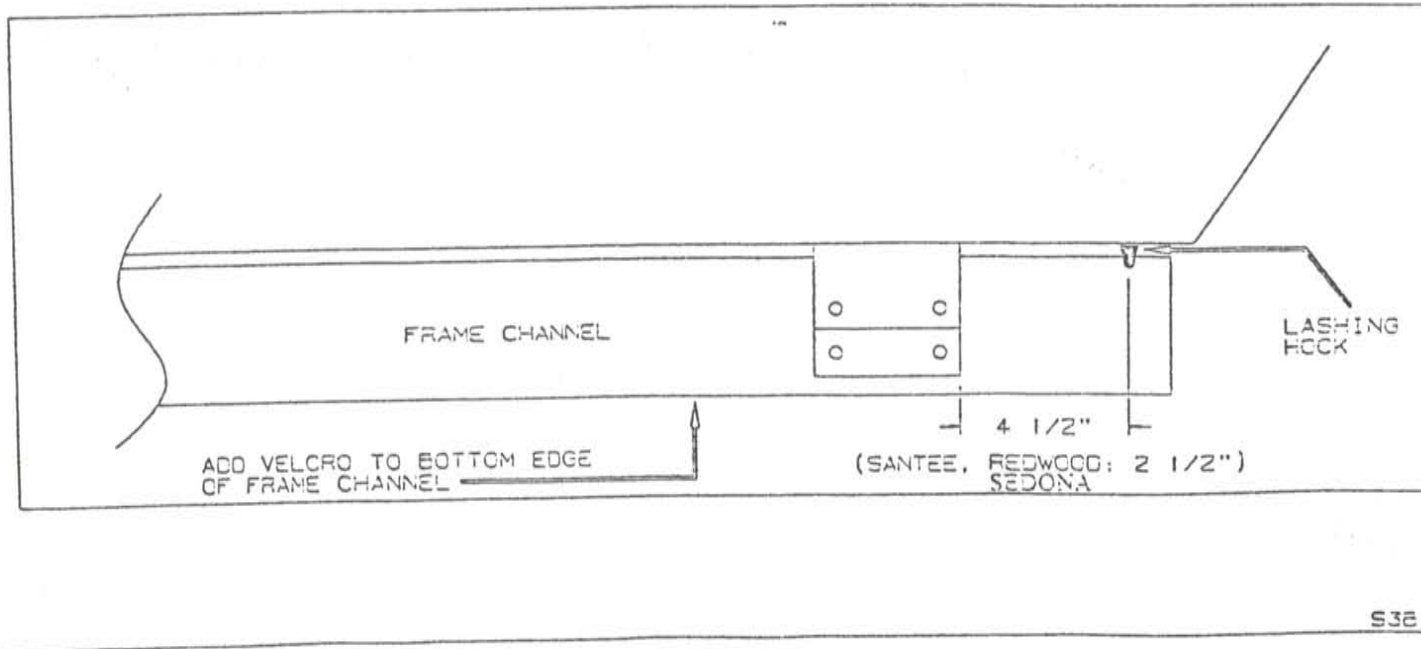
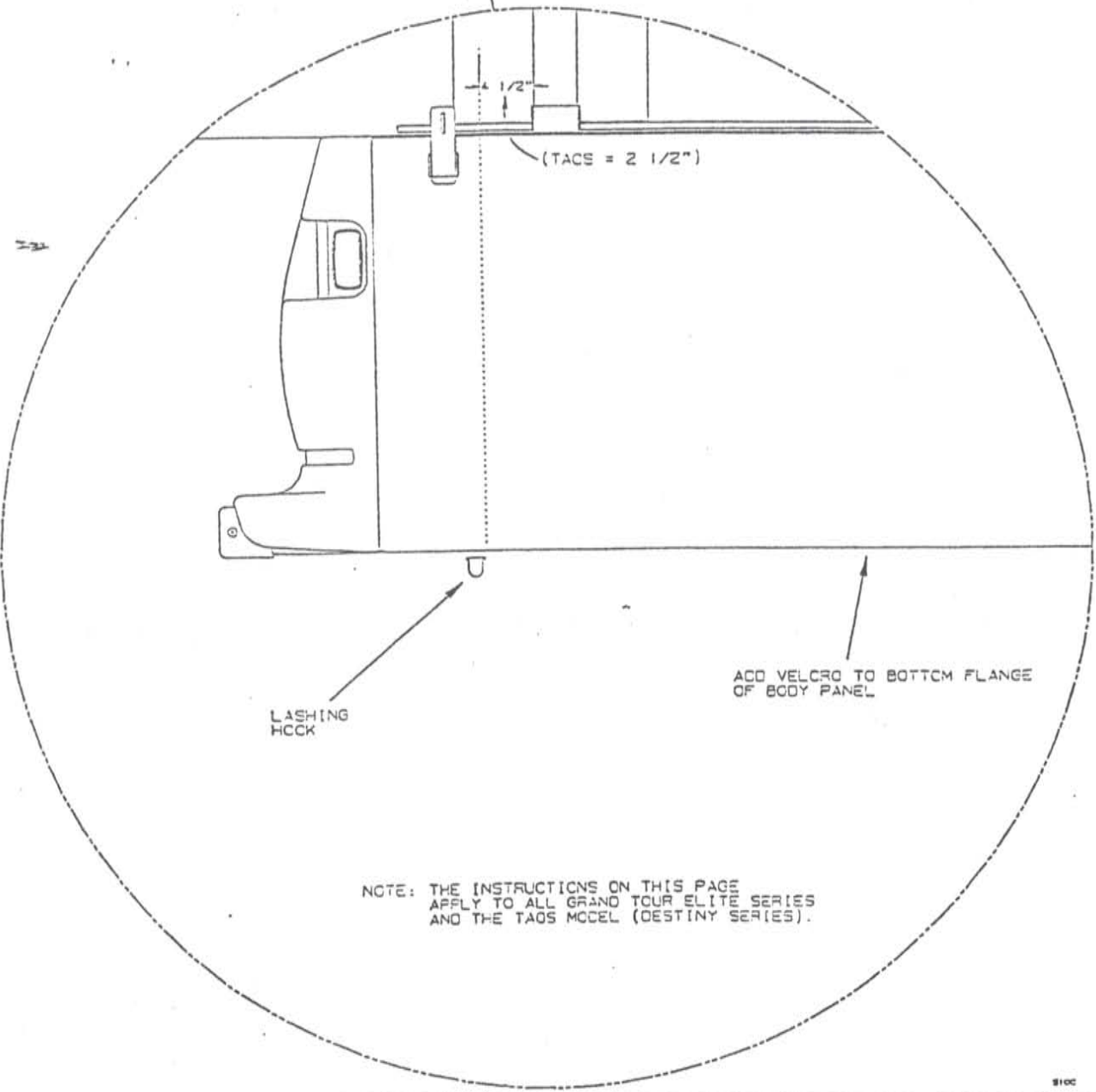
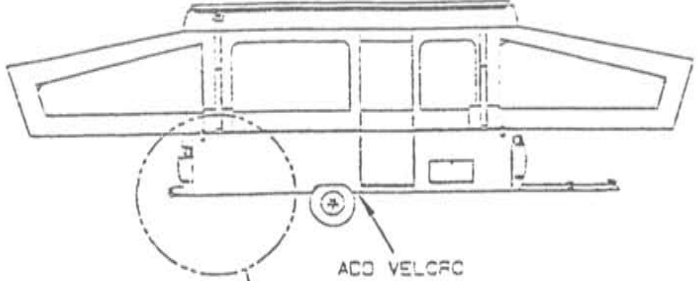
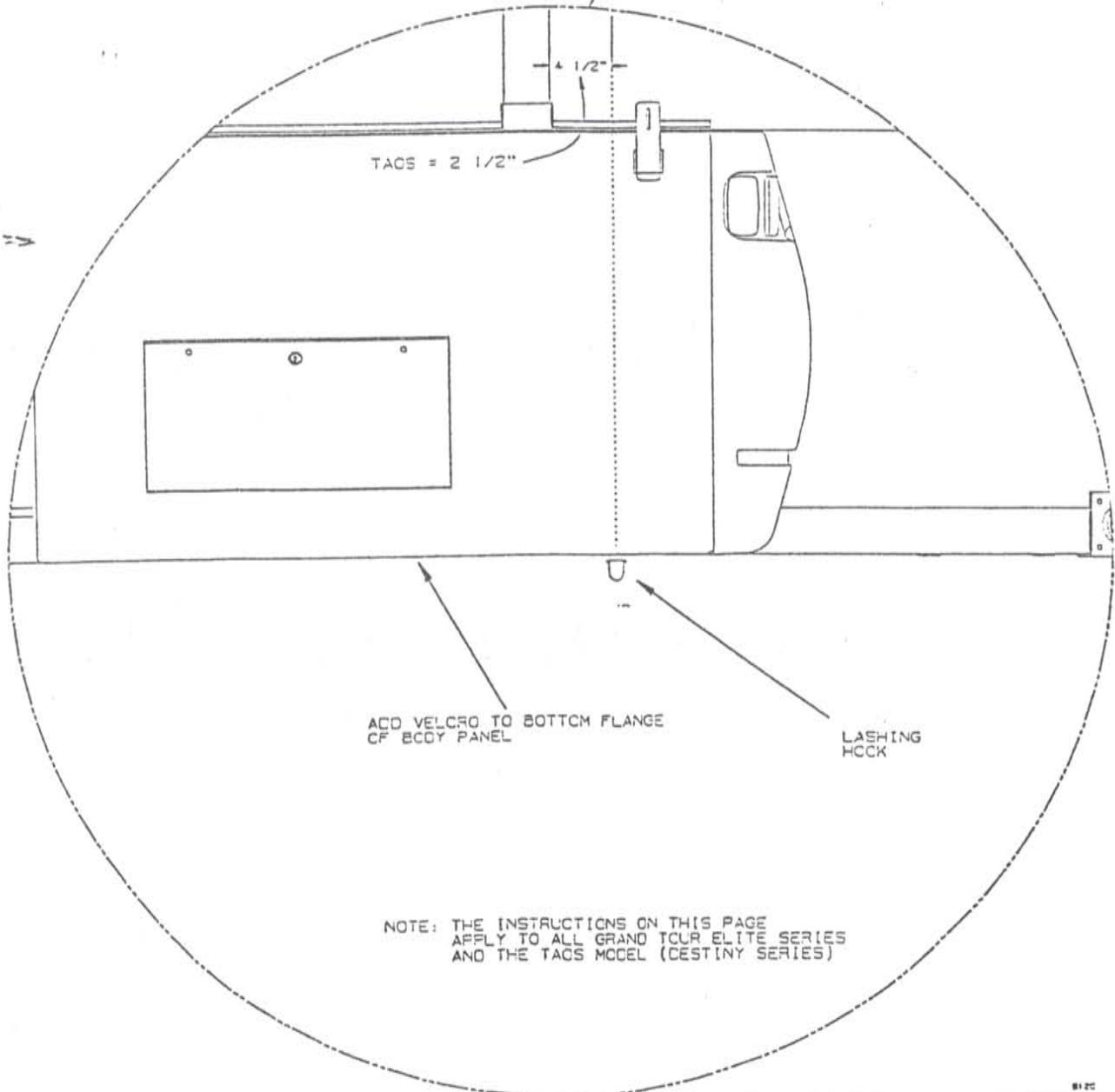
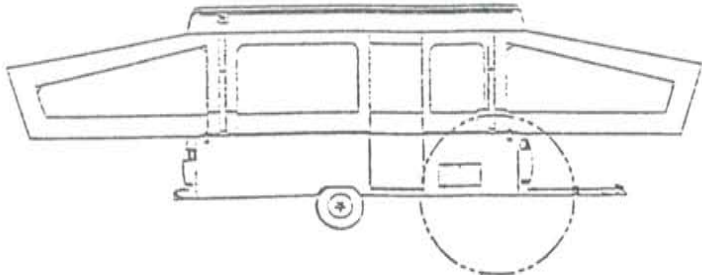


FIGURE 4



NOTE: THE INSTRUCTIONS ON THIS PAGE  
APPLY TO ALL GRAND TOUR ELITE SERIES  
AND THE TAOS MODEL (DESTINY SERIES).

FIGURE 5

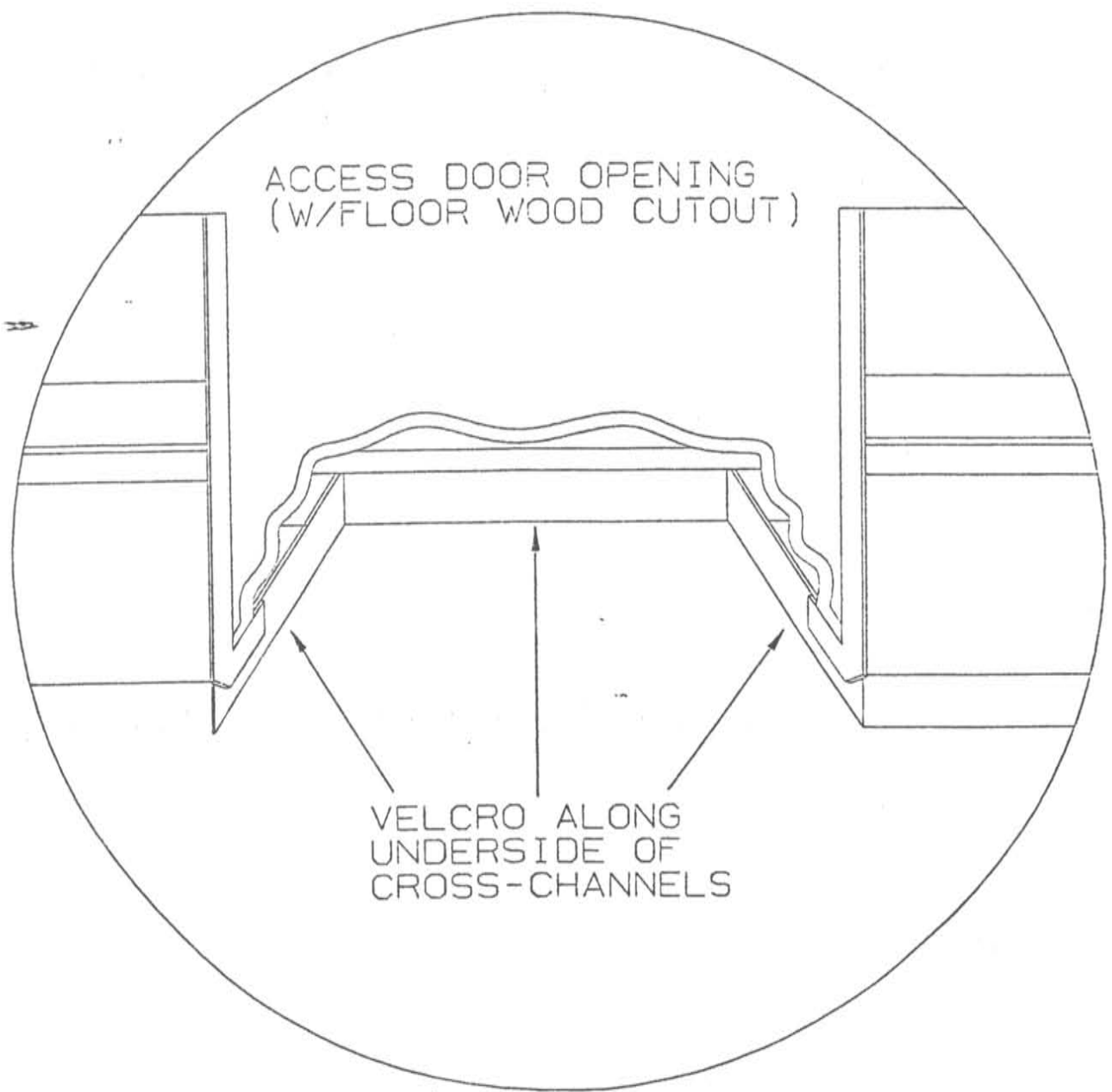


ADD VELCRO TO BOTTOM FLANGE  
OF BODY PANEL

LASHING  
HOOK

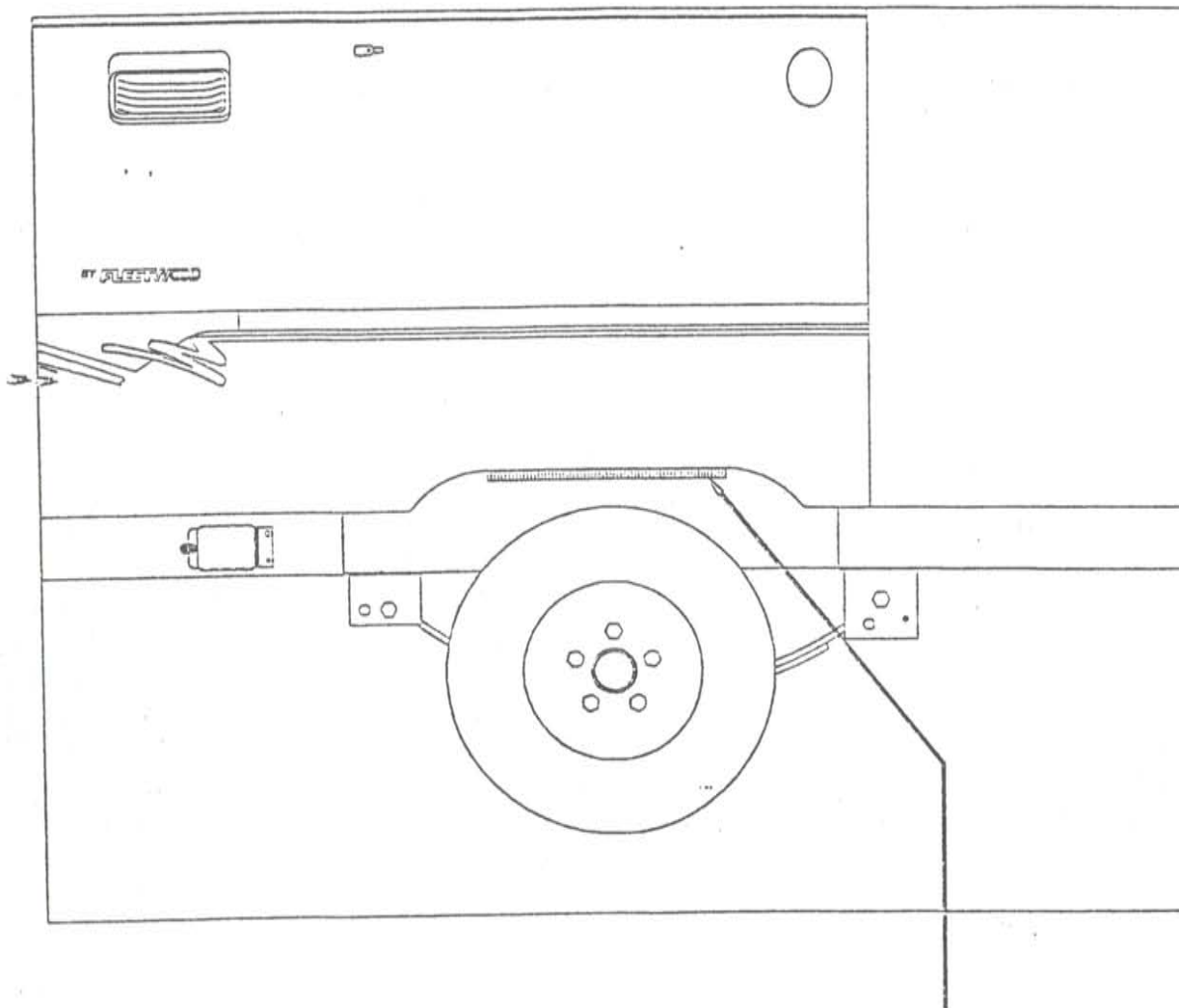
NOTE: THE INSTRUCTIONS ON THIS PAGE  
APPLY TO ALL GRAND TOUR ELITE SERIES  
AND THE TACS MODEL (DESTINY SERIES)

FIGURE 6



# FIGURE 7

DESTINY, GRAND TOUR AND GRAND TOUR ELITE MODELS  
(EXCLUDING TAOS MODEL)



16" VELSTICK (APPLY TO BODY PANEL FLANGE  
FACING DOWNWARD) INSTALL WITH THREE SCREWS  
PROVIDED. VELSTICK SHOULD BE FLUSH WITH  
OUTER EDGE OF WHEEL WELL.

# FIGURE 8

(BAYSIDE MODEL SHOWN)

ATTACH RECTANGULAR WHEELWELL FLAP TO REAR SKIRT OF SCREEN ROOM AND THEN TO UNDERSIDE OF TRAILER BEGINNING AT THE TWO ARROWS AND WORKING TOWARD THE CENTER OF THE WHEEL WELL.

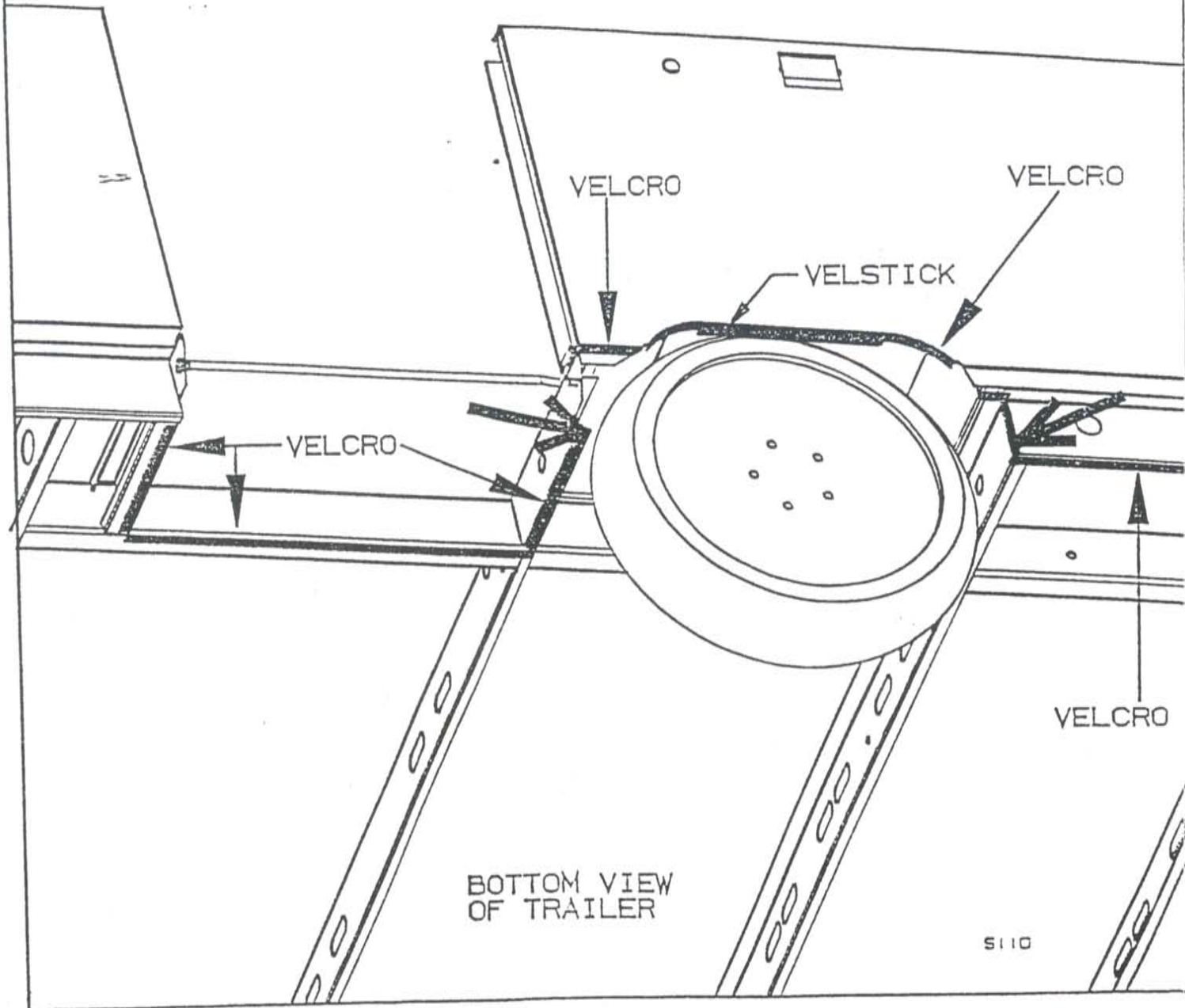


FIGURE 9

